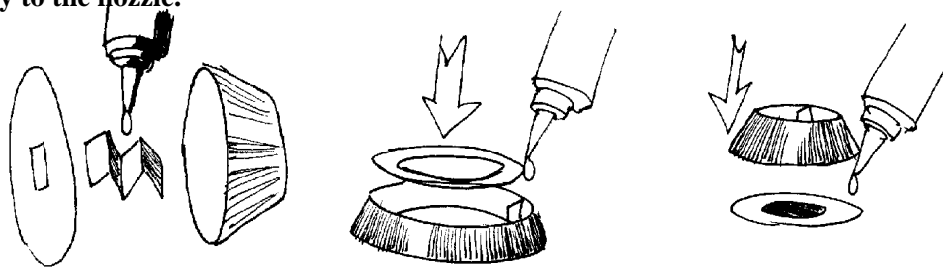
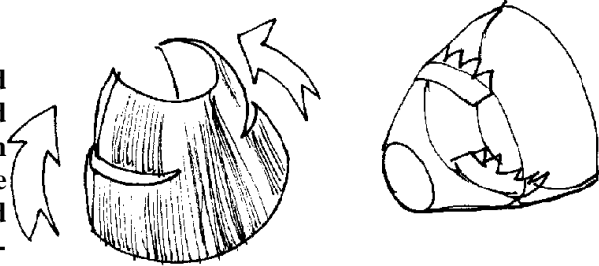
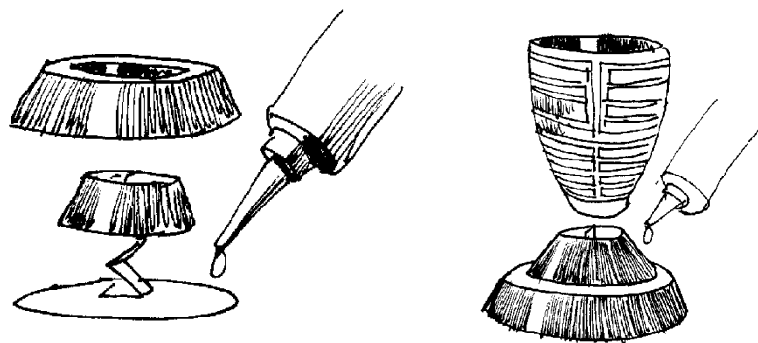


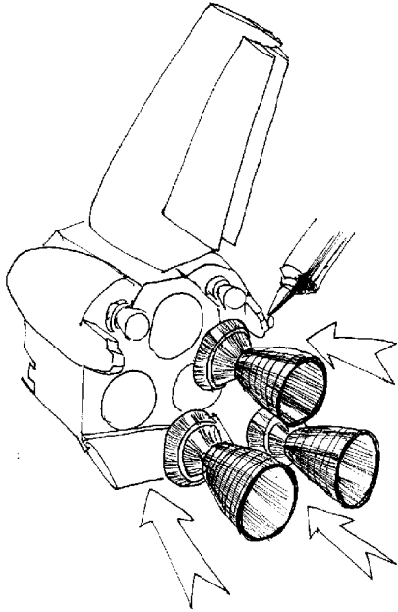
Cut the external pipes 9-5 of the three Space Shuttle Main Engines (SSME). Remove carefully the white parts between the gray lines (cooling pipes). Try to paint gray the cut edge so that the white line does not appear.

Cut the three nozzles 9-2 and the related gluing tabs (9-3 and 9-4). Bend the paper and form the external bell. Do the same with the internal part 9-1 and glue-it internally. Bend the cooling pipes and glue them externally to the nozzle.

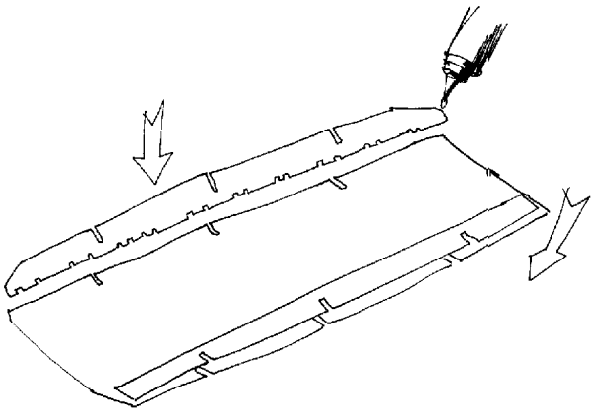


Cut the engine base 9-9, the paper spring 9-6 and the insulator ring 9-8. If the paper you used to print the model is very light then glue the base 9-9 and the injector 9-7 on a cardboard sheet and cut them together. Fold the spring as illustrated and glue it on the base. Roll the engine gimbal 9-11 and glue it with the insulator ring 9-8. Roll the internal engine gimbal 9-10 and glue it in the injector plate 9-7. Glue the 9-7 on the spring and close the mechanism with the external gimbal assembly gluing it on the edge of the engine base. Insert and glue the nozzle assembly. Once assembled the nozzle should have some degree of freedom and can be tilted a little bit.



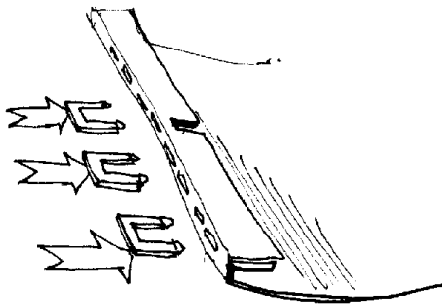
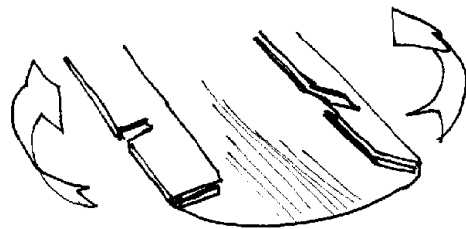


Glue the three engines on the back of the the Shuttle engine block.

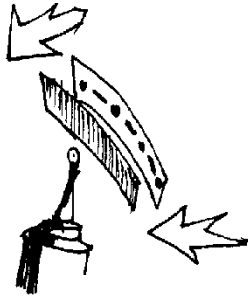


Start with right Thermal Radiator. Cut the radiator 10-5 and the two pieces 10-6 and 10-4 that serve to increase the thickness of the part. Glue them on the back side of radiator 10-5. Cut the three lateral slots carefully on both part. Before to bend cut all the slots for the astronauts handles (the small white boxes on the left edge of the radiator 10-5).

Start to fold the radiator so that the painted gray part is the part on the lower surface.

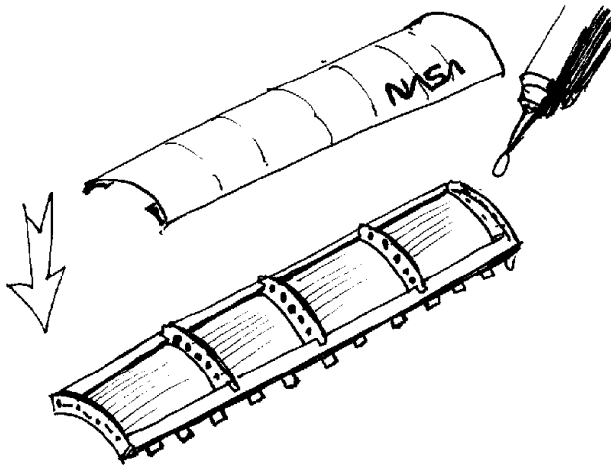
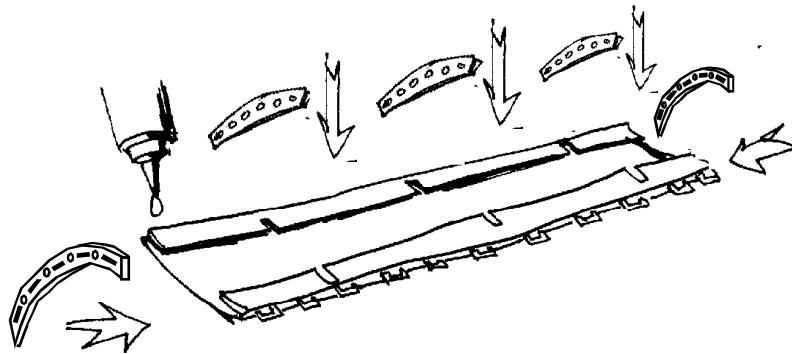


Cut each handle 10-7 fold on the center-line and glue it. Insert each handle in the relative slot (the one corresponding on the right side on the handle). Glue each handle and when you finish glue the back side of part 10-6 on the unpainted part of radiator.



Cut and glue the parts 10-8 and 10-9 one by one (so that each part is the same from both side.

Glue the 10-9 on the three internal slots on the 10-8 on both ends.

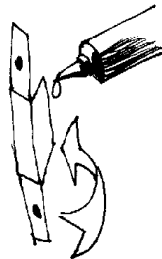


Repeat the similar procedure with the cargo bay door 10-1 and the parts 10-2 and 10-.

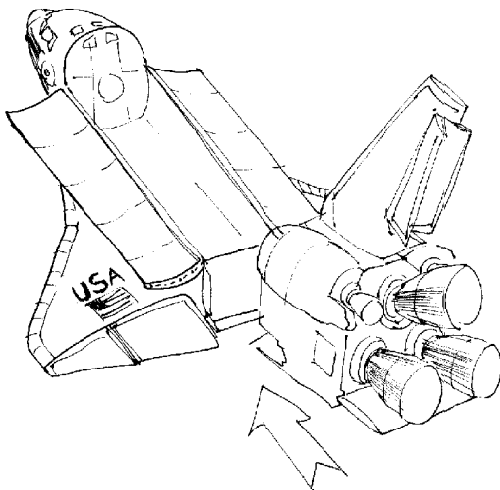
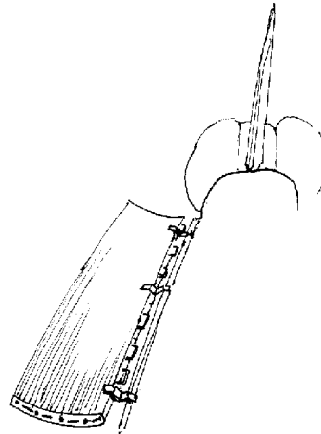
At the end glue the door on the radiator.

Repeat the assembly with the left Radiator-cargo bay door.

Cut, fold and glue the three hinges of the cargo bay doors.



**Glue them on the marked boxes
and attach the doors to the cargo
bay.**



Insert and glue the shuttle motor block to the model.

You finished !!

Congratulation.

If you enjoyed and if you like the Shuttle Model, be part of the ISS Paper Model Supporter providing a financial help to the designer. Please send your contribution in a closed envelop directly to

**Raimondo Fortezza
Via A. Falcone, 58
I-80127 Naples
Italy**