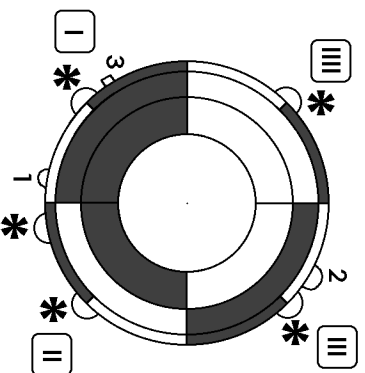
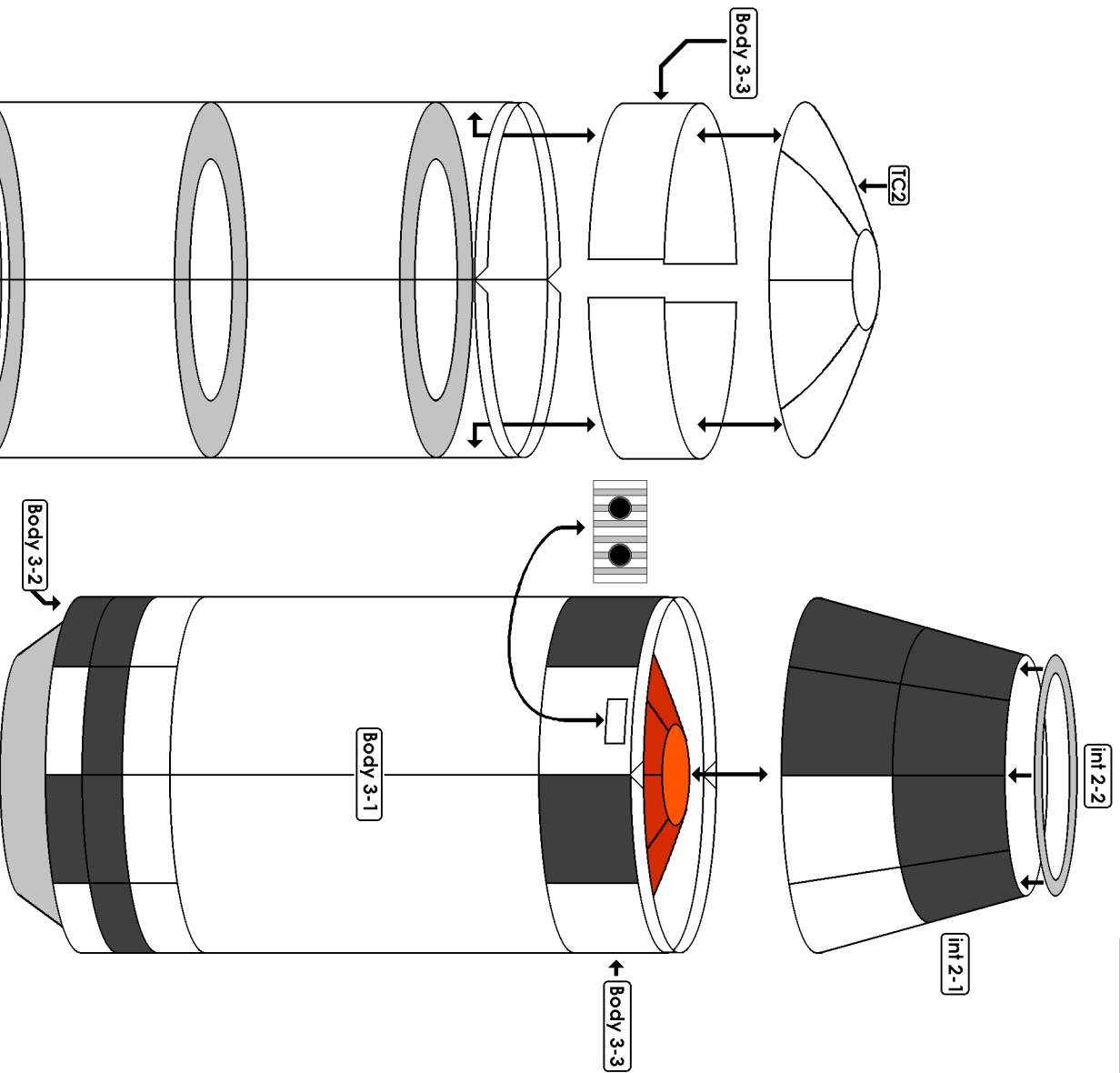


Saturn V

S-2

Interstage 2

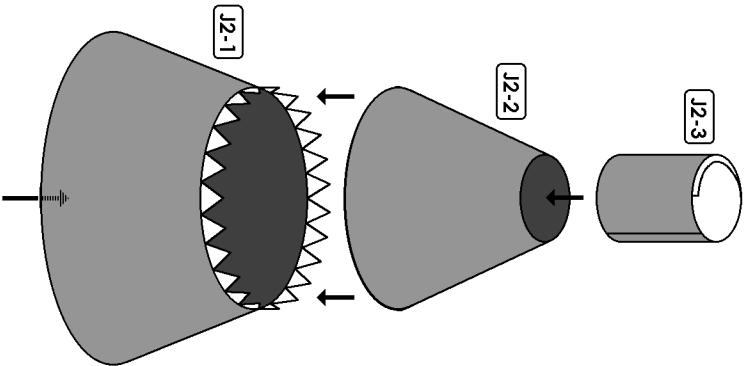


* fuelline fearning
 1 fuelintake
 2 LOX vent
 3 instrument duct

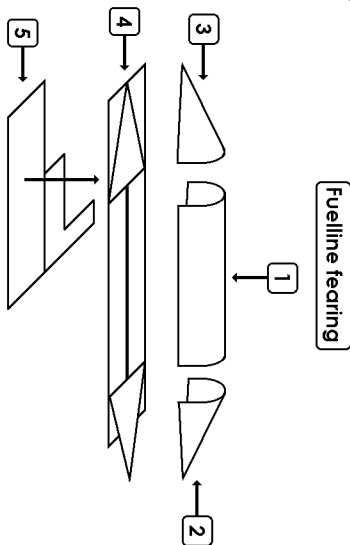
Saturn V

S-2

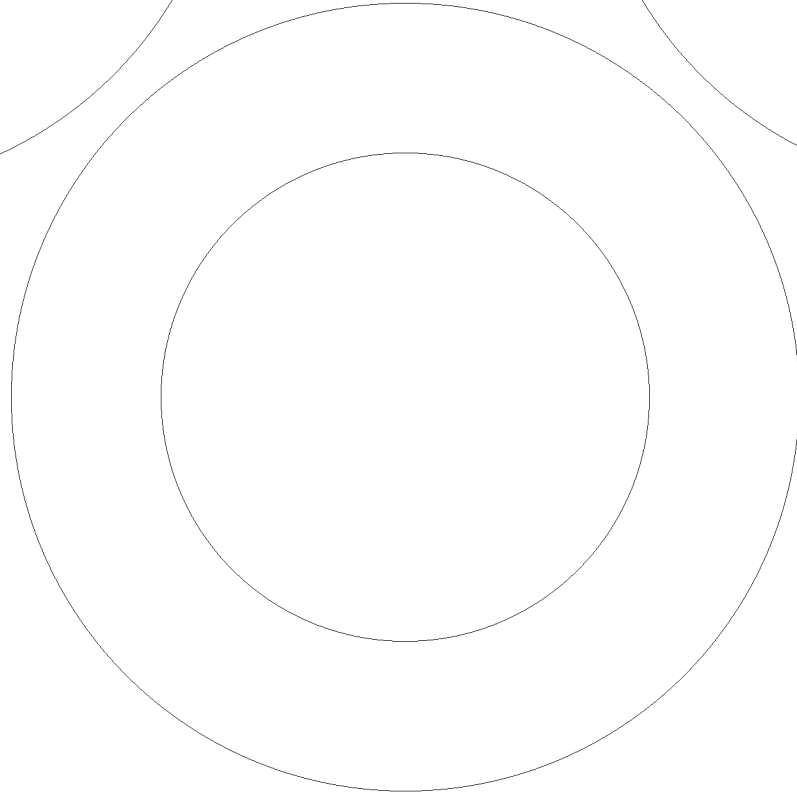
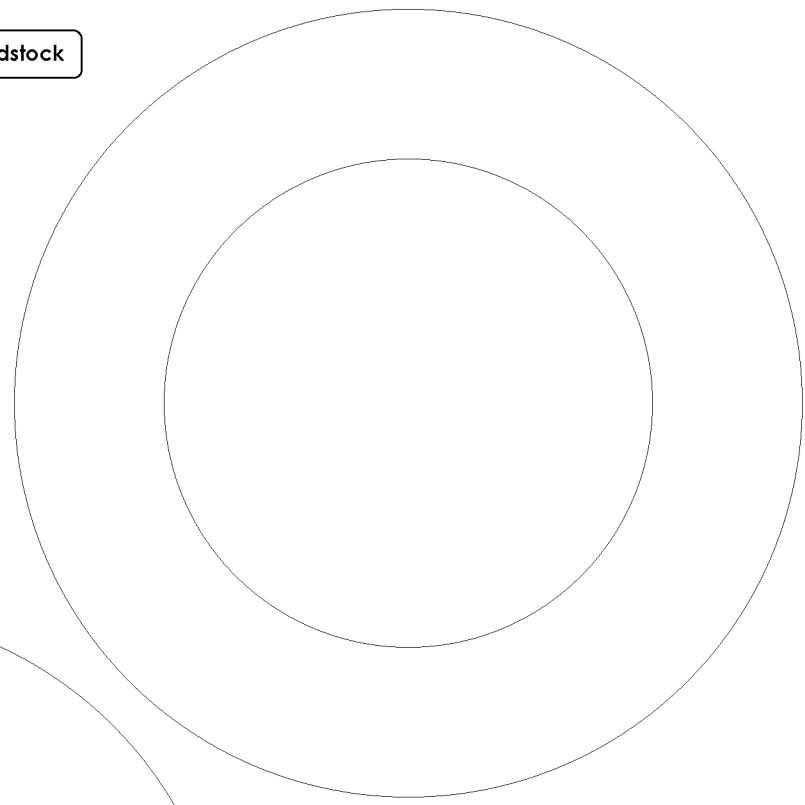
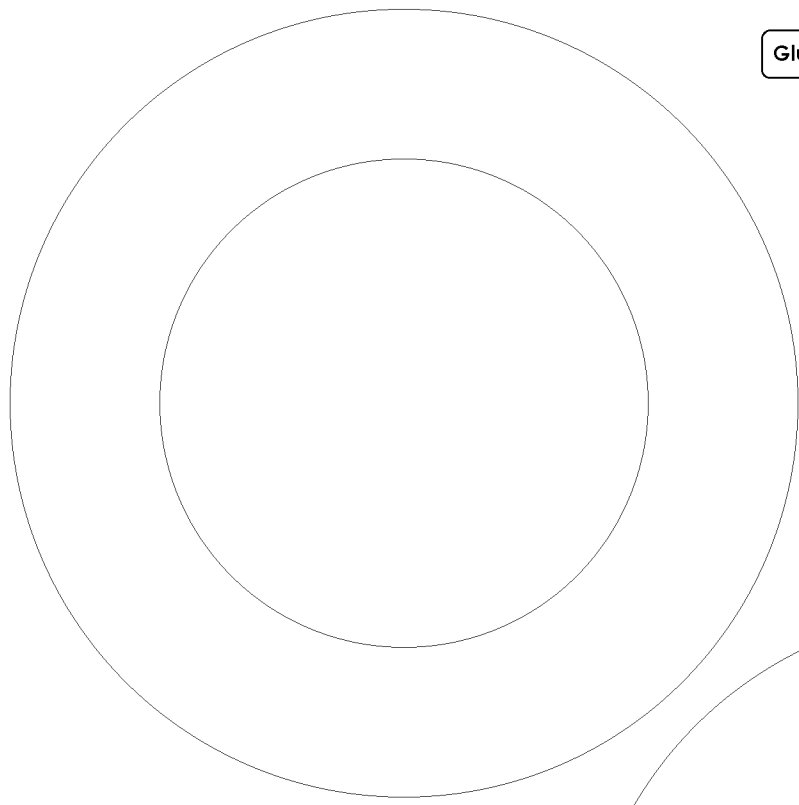
J2 engine



Paint the inside of the engine black



Glue everything on this page to cardstock



DZ-TWD STATES

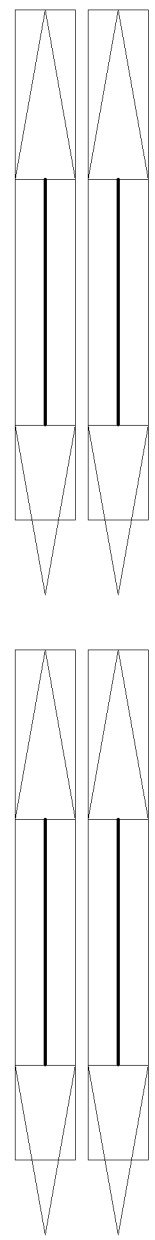
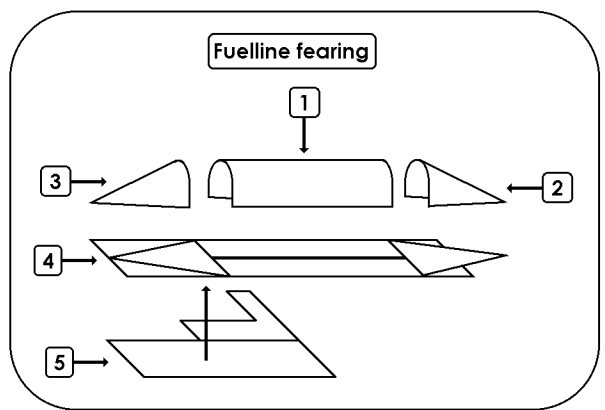
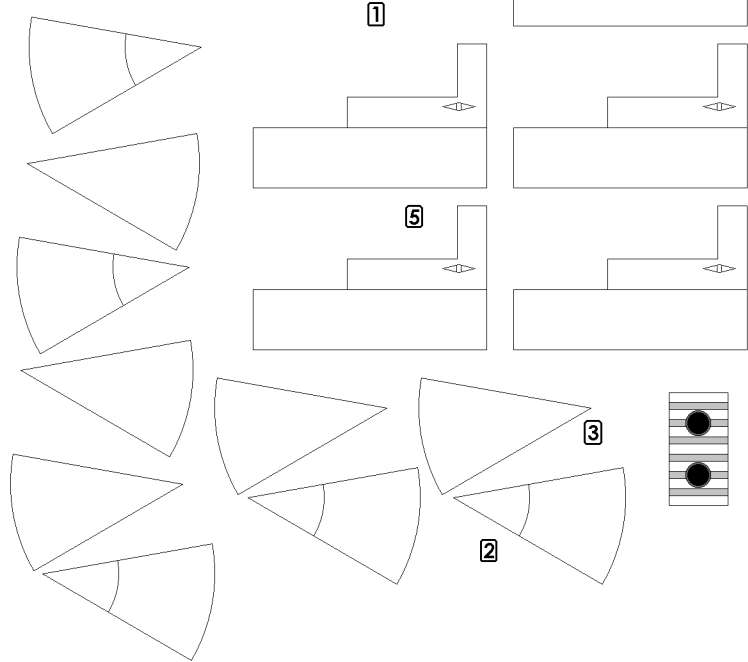
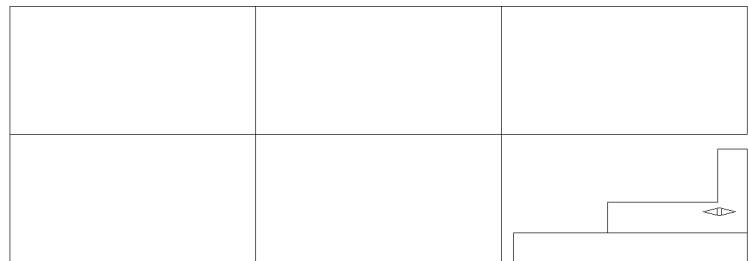
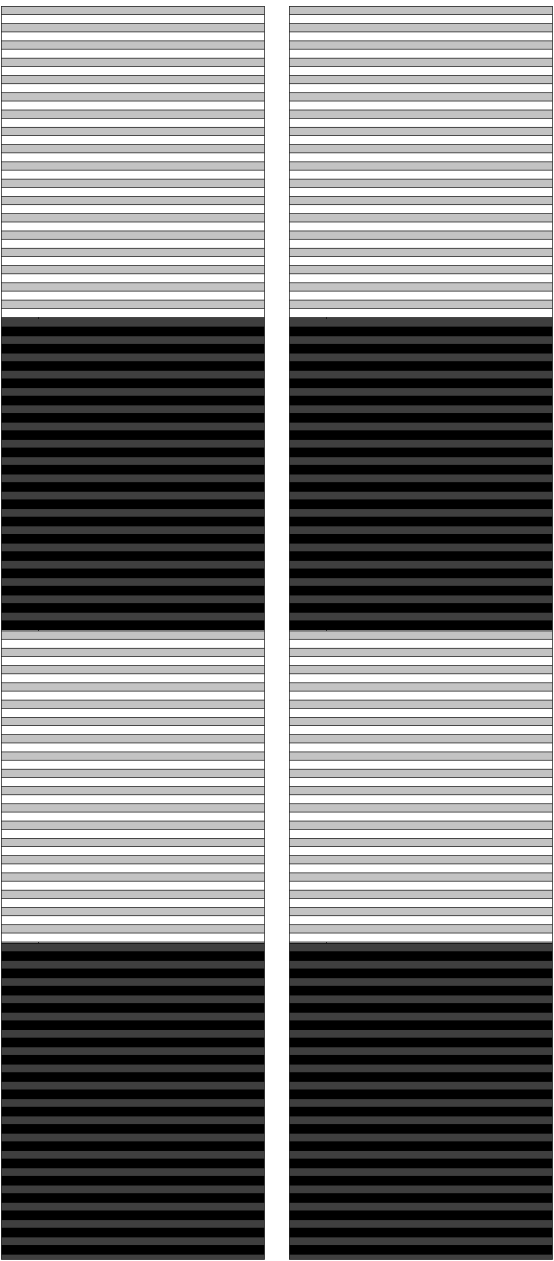


DZ-TWD STATES

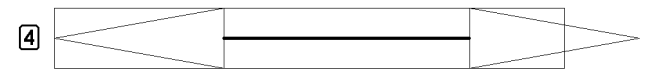
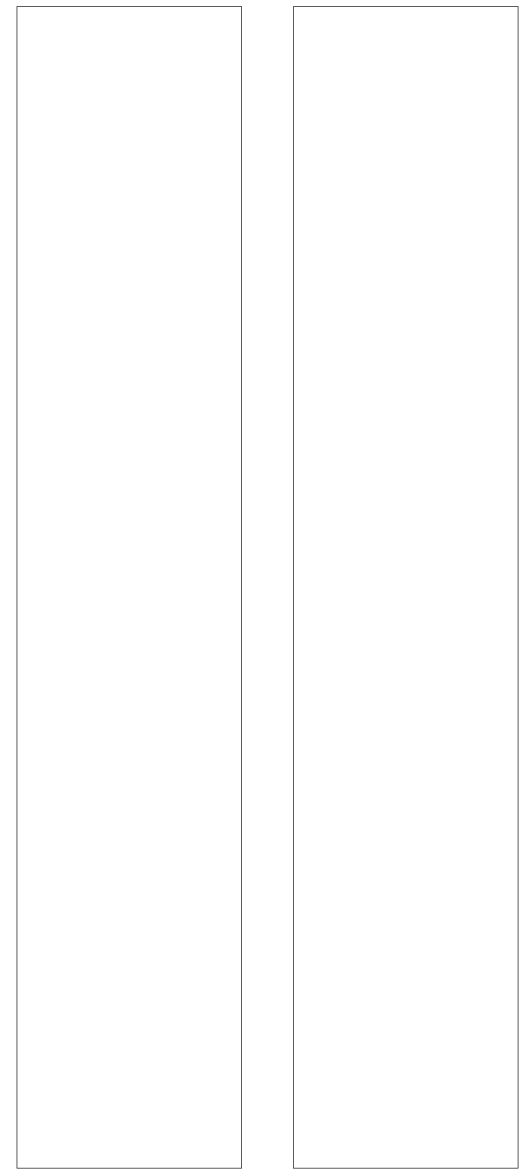
Body 3-1

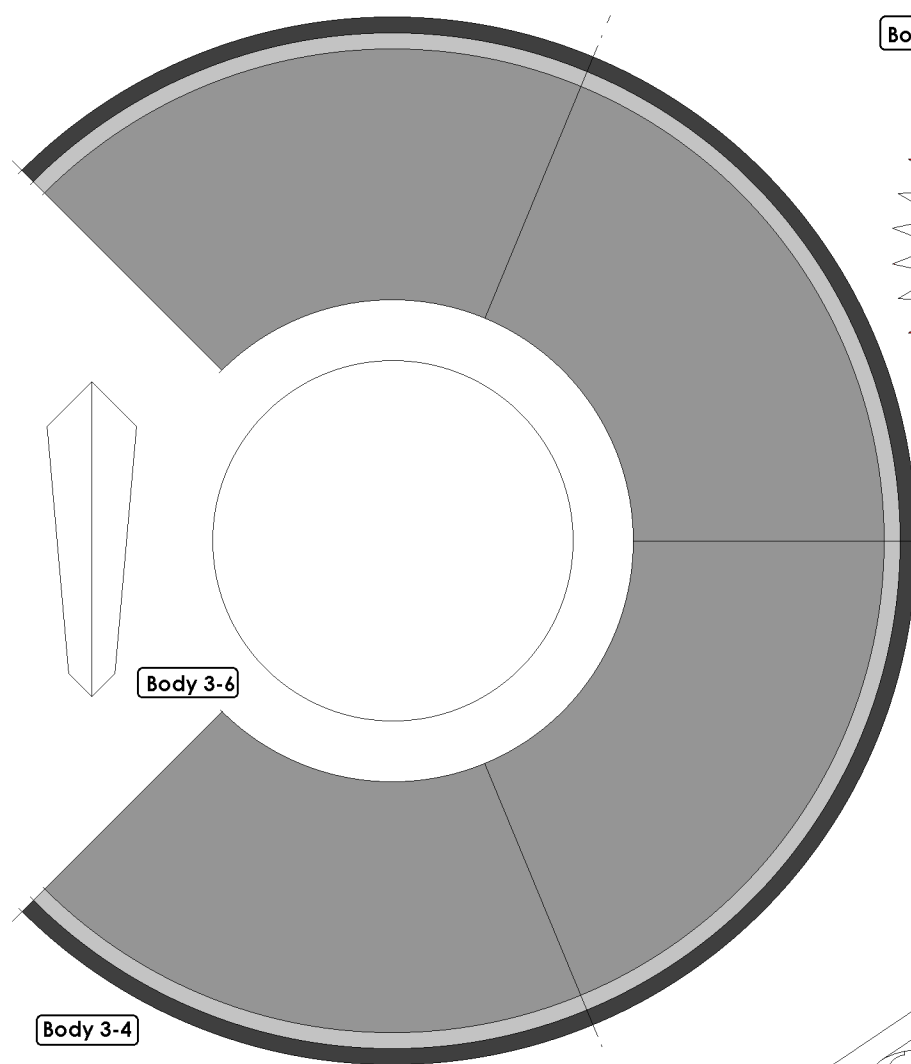
Body 3-2

print 2x

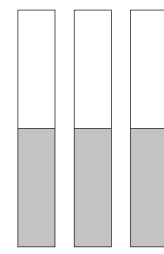
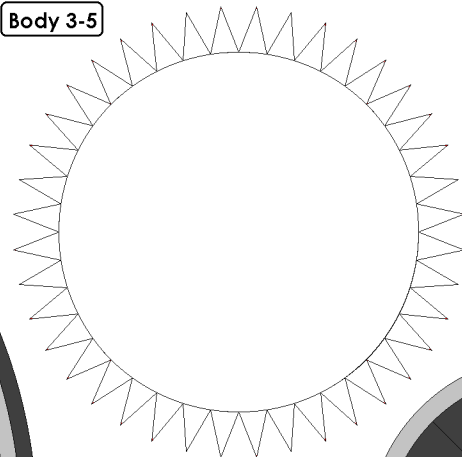


Body 3-3

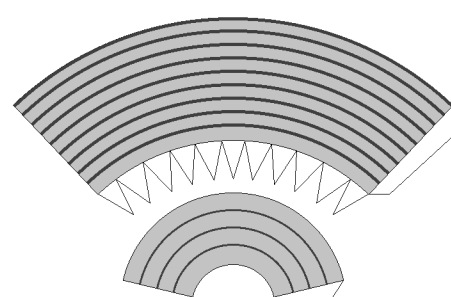
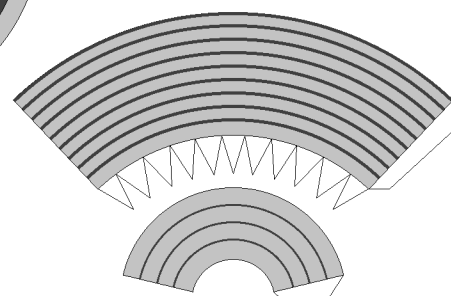
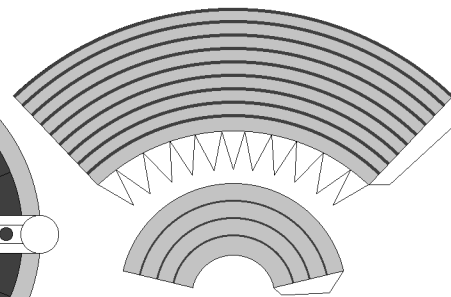
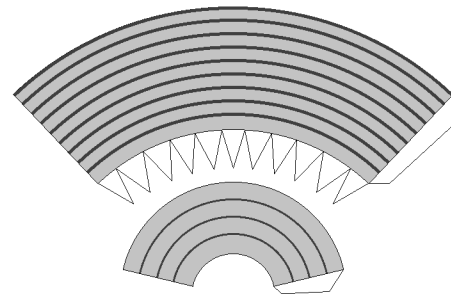




Body 3-5

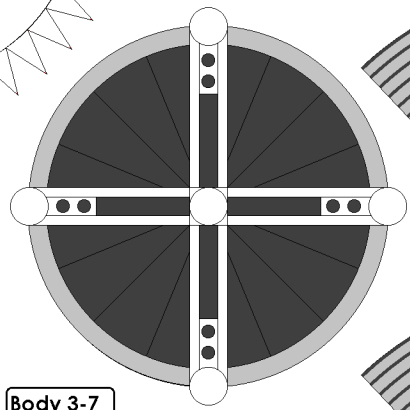
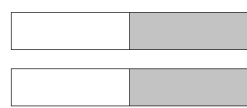


J2-3



Body 3-6

Body 3-4



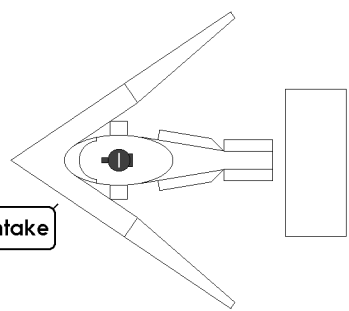
Body 3-7



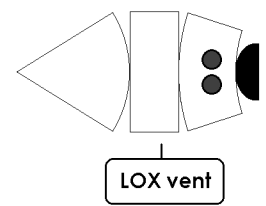
Fuelline assembly



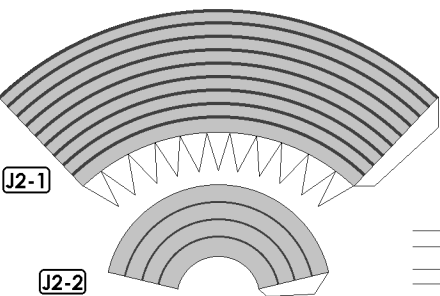
Vent assembly



fuelintake



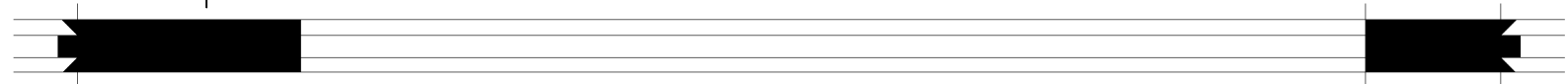
LOX vent

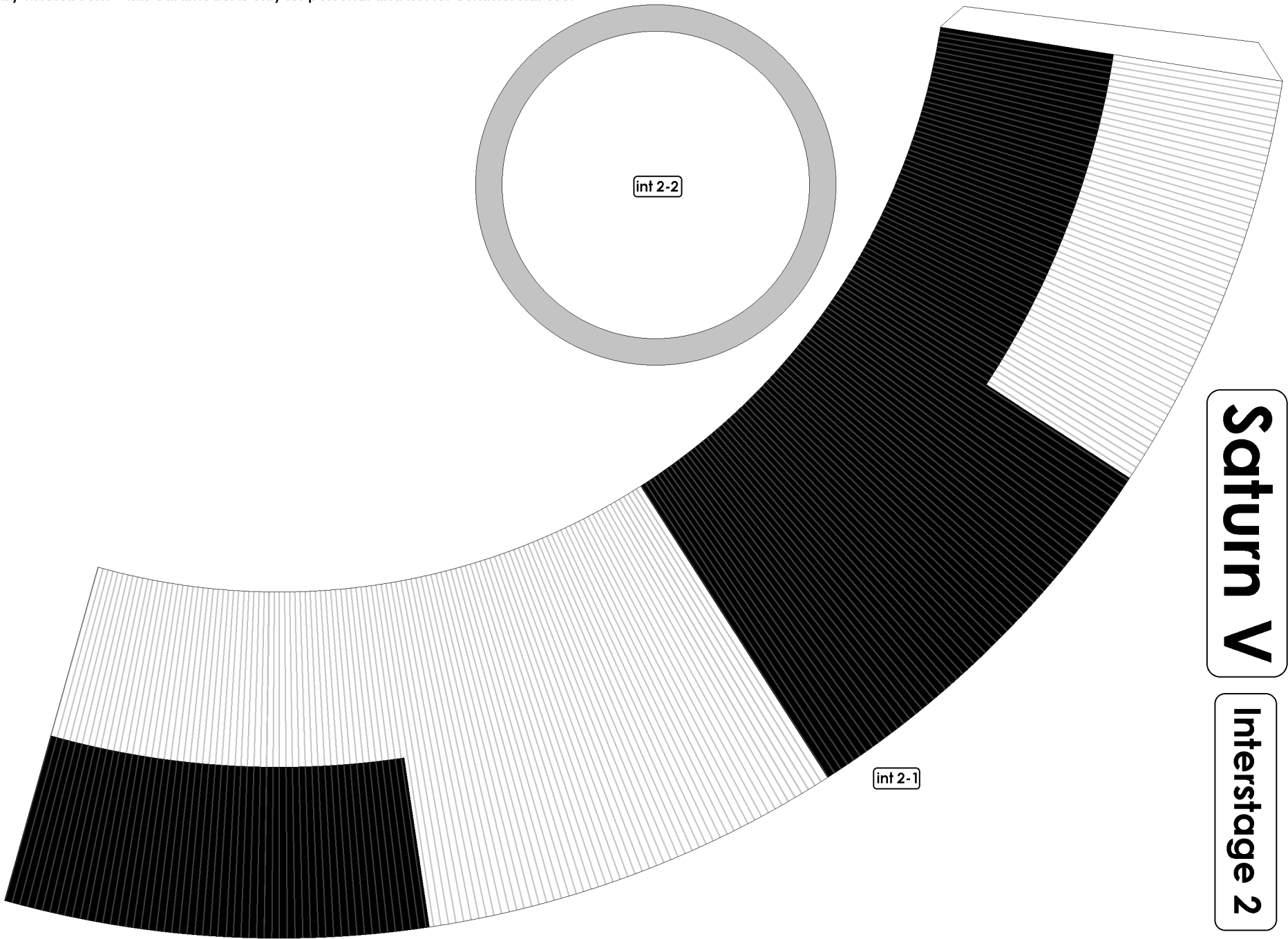


J2-1

J2-2

instrument duct





Saturn V

Interstage 2

int 2-2

int 2-1